

Burner MOC - SPECIFICATIONS SHEET

Pellets Burner MOC



Burner types *MOC* 20,40,60 combustion granulated wood (pellets) is optimal devices designed for use with boilers of a power 15 to 60 kW.

Burner *MOC* is designed so that during its use operation and maintenance costs are relatively low. Burner with horizontal hearth can be installed in many solid fuels boilers without serious modifications to this equipment. Through the use pellet burner we get comfort similar to oil boilers.

FUEL

Recommended Fuel is: pellet with a diameter of 6 to 8mm, a length of 5-30mm (20% up to 45mm) and a maximum ash content of up to 2%.

Maximum humidity pellets should not exceed 10%.

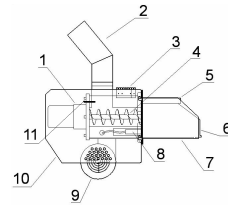
The calorific value of the pellets should be greater than 17.5 MJ / kg

TECHNICAL DATA

	Unit	Type		
		<i>MOC</i> 20	<i>MOC</i> 40	<i>MOC</i> 60
Power burner (> 17,5 MJ/kg)	kW	25	40	60
Power range (min.-max.)	kW	8-25	15-40	20-60
Chimney pressure	Pa	10-20		
Minimum diameter of the chimney	mm	140	160	180
Minimum chimney height	m	8	8	8
The efficiency of the burner	%	92 %		
Fuel consumption for maximum power	kg/h	5,59	8,94	13,42
Fuel consumption for minimum power	kg/h	1,69	3,35	4,47
Fuel		Pellet 6-8 mm		
Power consumption	kW	0,442		

CONSTRUCTION BURNER

1. Gearmotor
2. A tube for feeding pellets
3. Electrical connection
4. Internal burner Feeder (stoker)
5. Plate thermal hearth
6. Cast iron grate burner
7. Furnace body
8. Ignition
9. Air fan
10. Burner's body
11. Fotoelement



ADVANTAGES OF THE BURNER

- Automatic combustion system
- Controlled burner power
- Replaceable grate of a special alloy cast iron
- Expandability automation

AUTOMATION

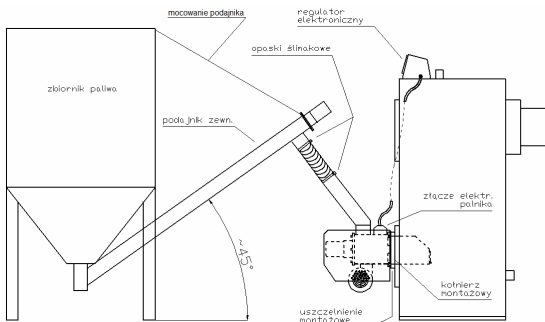


RK 2006 LP Supports domestic hot water pump and central heating pump and cooperates with a room thermostat

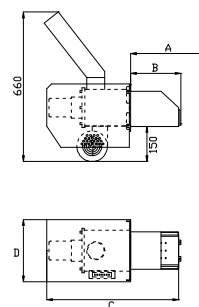


Controller FUZZY LOGIC Ecomax 800P. Supports domestic hot water pump and central heating pump and cooperates with a room thermostat.

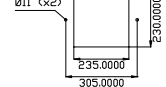
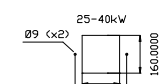
CONNECTION BURNER TO THE BOILER



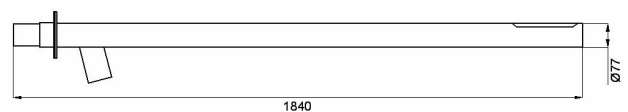
DIMENSIONS BURNER



OTWORY MONTAŻOWE PALNIKÓW



	A	B	C	D
25kW	400	220	580	270
40kW	440	260	620	270
60kW	490	310	650	350



Feeder length of from 1.7 to 3.0 m